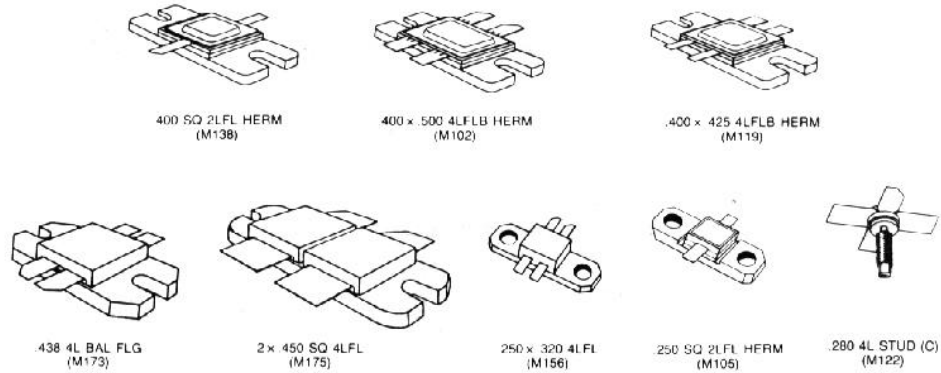


SELECTION GUIDE



LINEAR TRANSISTORS FOR TV APPLICATIONS, BANDS IV AND V

Type		Package	Config.	BIAS V_1/I_1 (V) (mA)	P_{out} min (W)	f_o (MHz)	P_{in} (W)	G_{p} min (dB)	IMD (3 l.) (dB)	C_{22b} max (pF)	$R_{th(j-c)}$ (°C/W)
P/N	SD #										
TCC597*	SD 1449		CE	20/440	1	860	0.1	10	-58	7	9.0
TCC598*	SD 1448	.280 4L STUD (C)	CE	25/850	4	860	0.8	7	-58	20	5.5
TDS 595*	SD 1732	.250 x .320 4LFL	CE	25/2 x 900	14	860	1.2	8.5	-47	17.5§	2.5
SD 1490*	—	.438 4L BAL FLG	CE	28/2 x 1500	25	860	1.9	9.0	-45	30 §	1.3
SD 1489**	—	.438 4L BAL FLG	CE	28/2 x 150	50	860	10.5	6.5	—	40	1.0
SD 1492**	—	2 x .450 SQ 4LFL	CE	28/2 x 500	150	860	30	6.5	—	—	0.55

* Class A ** Class AB. §Typical value. SD # is the code used in our ordering and invoicing system.

200 ... 500 MHz UHF PULSE POWER TRANSISTORS

Type	Package	Config.	V_{CC} (V)	P_{out} (W)	P_{in} (W)	Frequency range (MHz)	G_{p} min (dB)	$T_{p/\delta}$ (μ s/%)
SD 1511-8	.250 SQ 2LFL HERM	CE	28	10	1.2	425	9.2	CW
SD 1474	.400 SQ 2LFL HERM	CE	28	48	10	425	6.8	CW
SD 1563	.400 SQ 2LFL HERM	CB	40	300	30	400-500	9.5	250/10
SD 1564	.400 x .425 4LFLB HERM	CE	40	400	70	400-500	7.5	60/2
SD 1565	.400 x .500 4LFLB HERM	CB	40	500	50	200-500	9.7	250/10